



QMVM-36L

## QMVM-L SERIES

### Quantum Series Medium Temp Low Profile Open Display Merchandisers

#### MODELS

- QMVM-36L
- QMVM-48L

## FEATURES

### STANDARD ELECTRONIC CONTROL

- Built in audible alarm with silence feature
- Easily monitor and set alarms, alarm delay and room temperature
- Decreases service time and calls
- Eliminates the need for a room thermostat, defrost termination/fan delay control, defrost timer and digital thermometer or other temperature indicator



#### CONSTRUCTION

- 24 gauge galvanized steel exterior and interior
- Shelves adjustable in 1" increments
- Two lighted tiers of two-position shelving standard
- Perforated interior back wall and top for better air flow
- Price tag molding
- 2" foamed-in-place "zero ODP" urethane insulation

#### FINISH

- White enamel interior and exterior
- Stainless steel floor pans (removable for easy service)

#### REFRIGERATION

- Refrigerant: R-134a
- Front air intake and rear air discharge
- Self-contained, bottom mount refrigeration system
- Temperature range: 34° to 41°F (1° to 5°C)
- R-factor (insulation efficiency rating): 17.24

- **Drain plumbing hookup recommended. Condensate pan available if there is no access to drain plumbing.**

#### WARRANTY

- Standard limited four year extended compressor and one year limited parts and labor

### OPTIONS

- Custom exterior and interior colors
- Condensate evaporator drain pan
- Condensate pump
- Product hooks
- Extra shelves (non-lighted)
- 1" vinyl bumper in choice of black, blue, brown, green, red or white

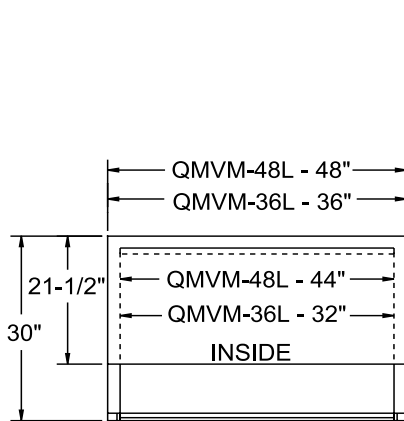


# QMVM-L SERIES

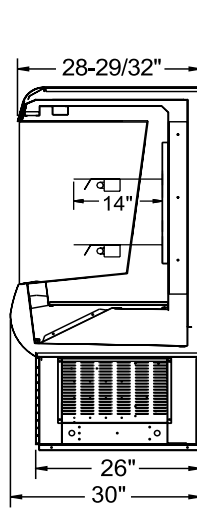
## QUANTUM SERIES MEDIUM TEMP LOW PROFILE OPEN DISPLAY MERCHANDISERS

### TECHNICAL SPECIFICATIONS

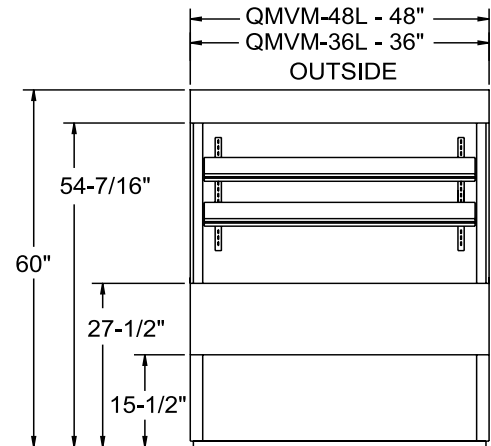
MODEL	DIMENSIONS (in.)			DIMENSIONS (mm)			VOLTS	AMPS	UNIT H.P.	NO. OF SHELVES	STANDARD SHELF SIZE (in inches)	CAP. CU. FT.	SHIP CU. FT.	SHIP WT. LB/KG
	L	D	H	L	D	H								
QMVM-36L	36	30	60	914	762	1524	115	14.8	1/2	2	14 x 31 <sup>1</sup> / <sub>8</sub>	11.2	67.0	490/223
QMVM-48L	48	30	60	1219	762	1524	115	14.9	3/4	2	14 x 43 <sup>1</sup> / <sub>8</sub>	15.4	81.0	580/264



PLAN VIEW



SIDE VIEW



ELEVATION VIEW

### LISTINGS



### HOOKUP

Electrical hookup: 115v  
 Plumbing hookup: Requires connection to customer's drain



### RECOMMENDED OPERATING CONDITIONS

- Merchandisers designed to hold product in the 34° to 41°F (1° to 5°C) range
- Designed to operate in air-conditioned stores where the maximum temperature is 75°F and the maximum relative humidity is 55%
- Should not be installed in direct sunlight
- Should not be installed near HVAC vents, fans or doorways that will disrupt airflow and compromise the function of the air screen inside the case
- Bottom shelf should not be loaded such that the front air intake is obstructed
- Floor drain should be properly trapped
- Factory installed controls should not be altered, removed or replaced without consent of the factory
- Product must not be displayed in the cold air curtain

### BID SPECIFICATIONS

Item no. QMVM-\_\_\_\_L  
 Provide \_\_\_\_\_ ( ) Quantum Series Medium Temp Low Profile Open Display Merchandiser(s), Master-Bilt model no. QMVM-\_\_\_\_L.  
 Merchandiser to have standard electronic controller eliminating the need for a room thermostat, defrost termination/fan delay control, defrost timer and digital thermom-

eter or other temperature indicator.  
 Merchandiser to have two-position shelves adjustable in 1" increments, perforated interior back wall, independent shelf lighting and price tag molding. Merchandiser will also contain 2" foamed-in-place "zero ODP" urethane insulation.  
 The refrigeration system is to be self-contained, with front condenser air intake and

rear air discharge and use R-134a refrigerant. The temperature range is 34° to 41°F (1° to 5°C). Merchandiser to have standard limited 4 year extended compressor warranty and 1 year limited parts and labor warranty. It is also to be UL and C-UL listed and UL EPH classified.



908 Highway 15 North • New Albany, MS 38652  
 PHONE: 800-647-1284 or 662-534-9061 • FAX: 800-232-3966 or 662-534-6049 • www.master-bilt.com

All specifications subject to change without notice.